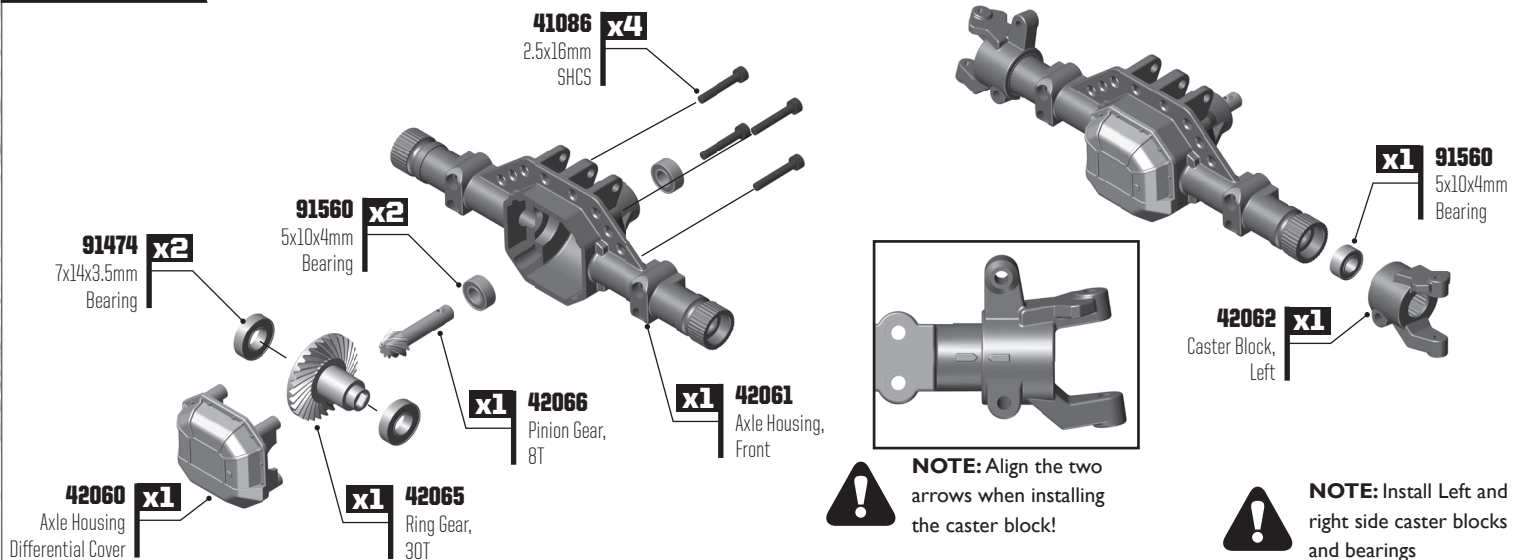
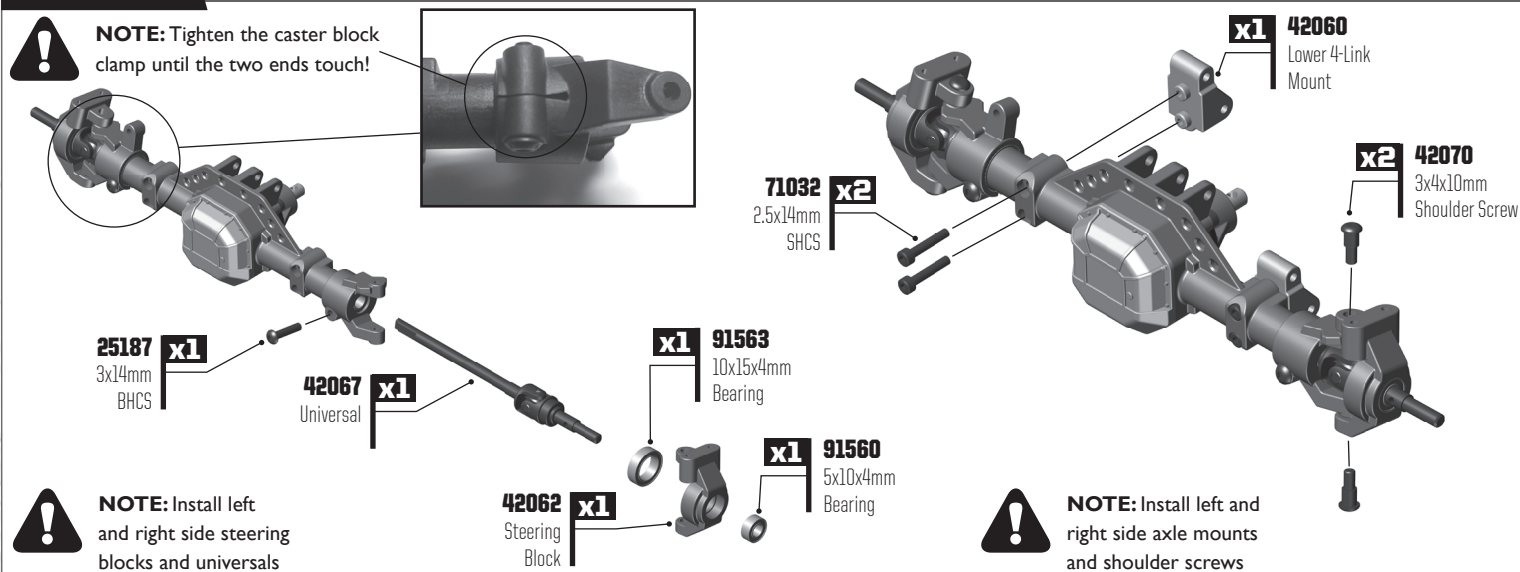


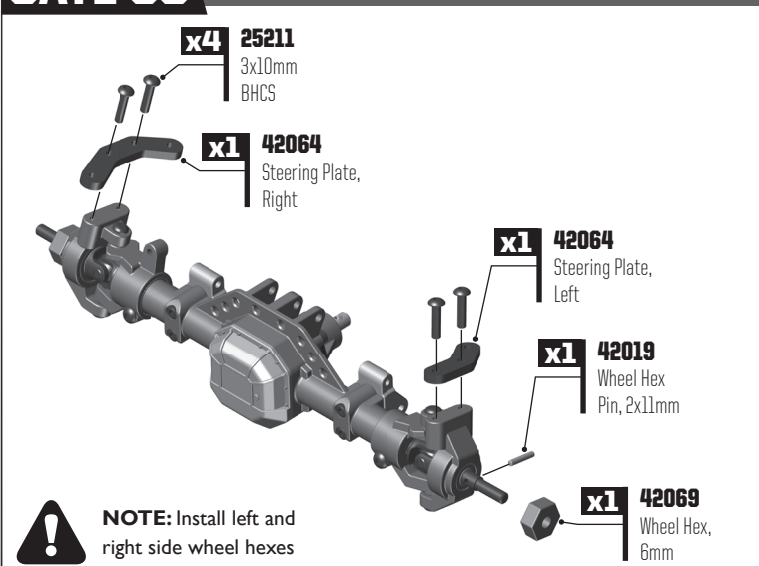
GATE 01 FRONT AXLE BUILD



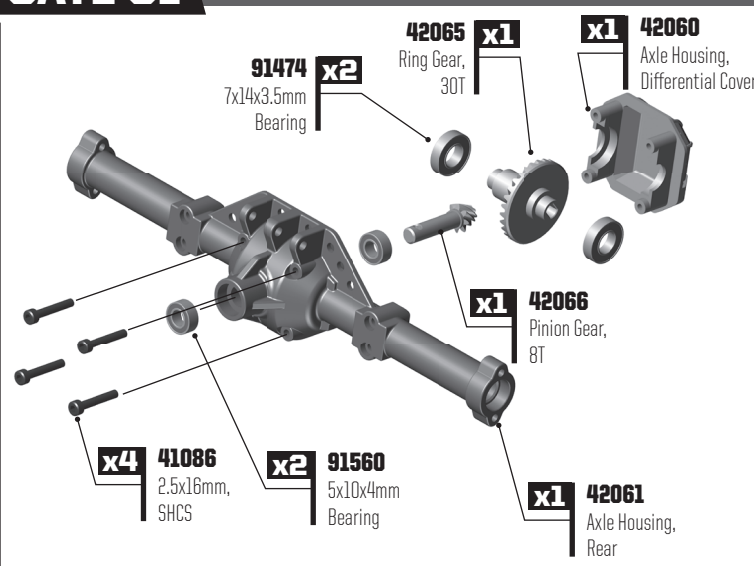
GATE 02 FRONT AXLE BUILD



GATE 03 FRONT AXLE BUILD



GATE 01 REAR AXLE BUILD



GATE 02 REAR AXLE BUILD

x1 42068
Drive Shaft,
Rear

x1 91560
5x10x4mm
Bearing

x2 31531
3x6mm
BHCS

71032 x2
2.5x14mm
SHCS

x1 42060
Lower 4-Link
Mount

x1 42019
Wheel Hex
Pin, 2x11mm

x1 42069
Wheel Hex,
6mm

NOTE: Install left and right side drive shafts

NOTE: Install left and right side axle mounts and wheel hexes

